

TWC-010 series

Warning Siren and Light for Debris Flow Warning

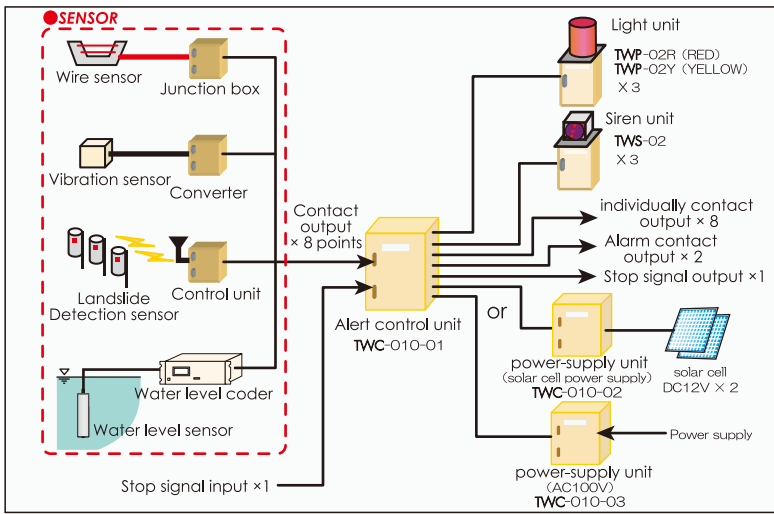
- **Up to 8ch Signals can be Input
(Wire sensor, vibration sensor)**
- **Power Consumption is Low and Can be
Operated by Solar Panel and Battery**
- **Effective for Neighborhood Resident's
Evacuation**



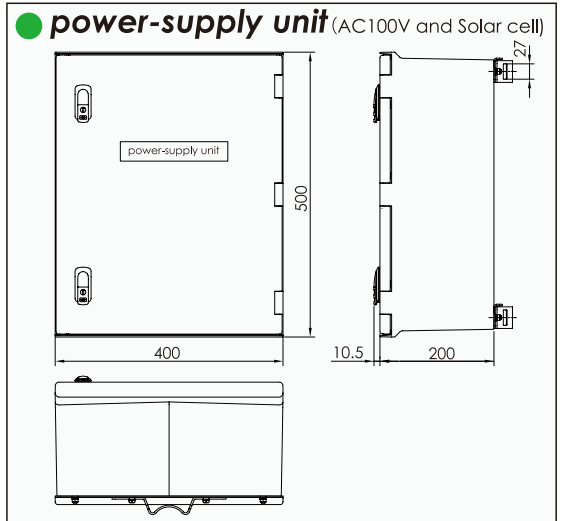
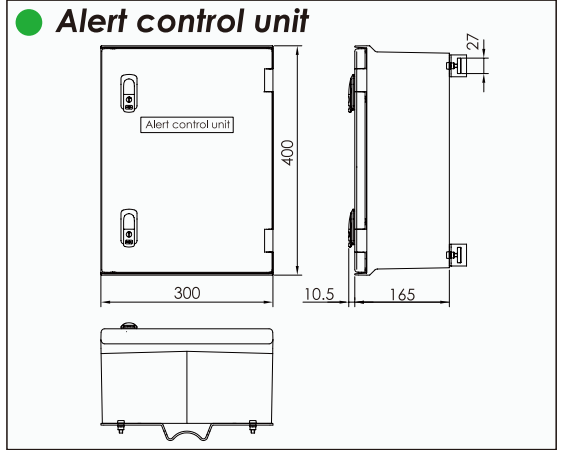
Summary

This system activates a Warning Siren and Light when receive an occurrence signal of debris flow from Wire sensor/Vibration sensor. It can be useful to quick evacuation for downstream residents.

System block diagram



Outline drawing



Specifications

Alert control unit

Type	TWC-010-01
Function	1) Input a) Contact input × 8 points b) Stop signal output × 1 point
	2) Output a) individually contact output × 8 points b) Output Power Supply for Siren unit × 3 points c) Output Power Supply for Light unit × 3 points d) Alarm Contact output × 2 points e) Stop signal output × 1 point
	3) Display LCD
Power supply	DC24V (21.6-26.4V)
Ambient Temperature	-10°C+50°C(non-freezing)
Dimensions	300W×400H×165Dmm

Power-supply unit(Solar cell)

Type	TWC-010-02
Function	1) charging controller a) Voltage:DC24V b) Load current:20A c) Max voltage input :50V d) current input 20A e) Short circuit current:25A
	2) Battery a) Voltage:DC24V b) Battery capacity:15Ah (20hour rate)
Ambient Temperature	-10°C+50°C(non-freezing)
Dimensions	400W×500H×200Dmm

Power-supply unit(AC100V)

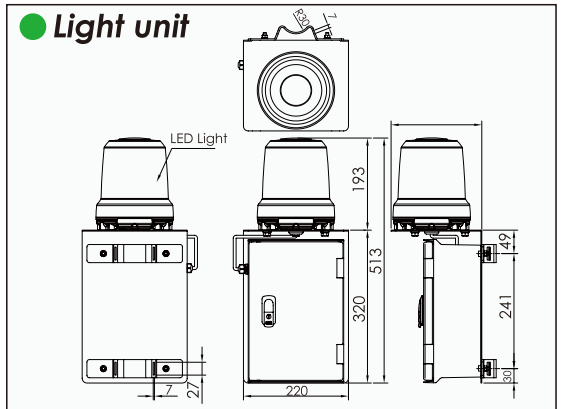
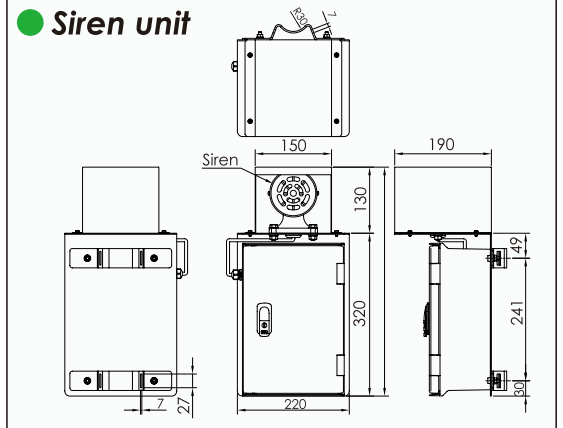
Type	TWC-010-03
Function	1) Input AC100V (90-110V) 2) Output DC24V 3) lightning arrester
	2) Battery a) Voltage:DC24V b) Battery capacity:15Ah (20hour rate)
Ambient Temperature	-10°C+50°C(non-freezing)
Dimensions	400W×500H×200Dmm

Light unit

Type	TWP-02R (RED), TWP-02Y (YELLOW)
Function	Led revolving warning light Luminous intensity: RED:1500cd YELLOW:3000cd
Power supply	DC24V (9-32V)
Ambient Temperature	-10°C+50°C(non-freezing)
Dimensions	220W×513H×190Dmm

Siren unit

Type	TWS-02
Function	Sound pressure:105dB(at 1m) Rotational frequency:5500min ⁻¹
Power supply	DC24V (21.6-26.4V)
Ambient Temperature	-10°C+50°C(non-freezing)
Dimensions	220W×450H×190Dmm



※Information in this document is subject to change without notice



Inquiry:E-mail e-info@takuwa.co.jp

1-4-15 Uchi-kanda, Chiyoda-ku, Tokyo 101-0047 Japan
Tel:+81-3-3291-5380,Fax:+81-3-3291-5226